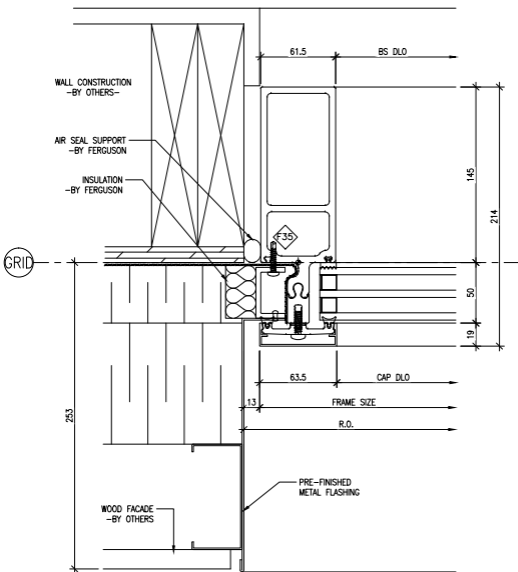


1 JAMB DETAIL @ VENT
3.2 SCALE: 1:2
ARCH REF: ~
SHOP REF: A,C,G,J/2.2



4 JAMB DETAIL
3.2 SCALE: 1:2
ARCH REF: ~
SHOP REF: A,D/2.3, F/2.4