



## RECOMMENDED USE:

For low-rise curtain wall applications requiring the highest thermal performance and non-combustible envelope construction, particularly owner-occupied buildings.

## PRODUCT DESCRIPTION:

CAN/ULC-S134 certified thermally-broken curtain wall system with 62mm (2.4") width profile and 145mm (5.7") mullion depth. Available exclusively for triple-glazed stick-built applications.

## COMPOSITION & MATERIALS:

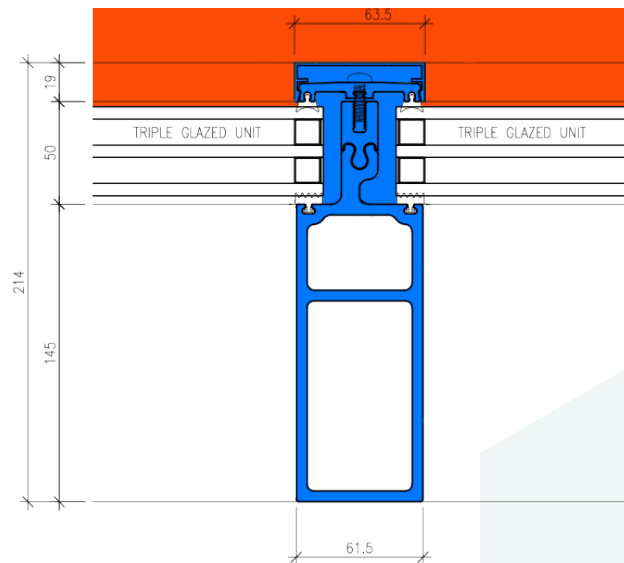
- Fibreglass-reinforced plastic (FRP) back body
- Fibreglass-reinforced plastic (FRP) pressure plate
- Aluminum anodized snap cap (vanity cap)
- Extruded silicone or EPDM gaskets
- EPDM corner blocks
- PVC anti-rotation (spacer) channels
- Aluminum spigots (T-connectors)
- Steel reinforcing members as required

## FINISHES :

FRP back body available in standard colours: black, white, and dark gray. Other colours paint-to-sample (paint-to-match).

## LIMITATIONS:

- Designed for IGU with 44mm (1.75") overall thickness
- Curtain wall must be installed perpendicular (90 degrees) to the floor
- Curtain walls must be reviewed for structural and load requirements
- Contact GlasCurtain for further technical support



## FEATURES & BENEFITS:

- Suitable for buildings requiring non-combustible envelope construction in Canada
- Ultra-high thermal performance
- R7 Overall, frame and glass (0.85 W/m<sup>2</sup>·K/0.15 Btu/ft<sup>2</sup>·F)
- Exclusively triple-glazed
- Improved thermal comfort for occupants and tenants
- Fully-captured (pressure plates on all four sides of glass) for optimal wind load resistance, dead load capacity, and air/water penetration resistance
- Compatible with operable vents
- Tested to CAN/ULC, ASTM, CSA, and AAMA requirements
- Manufactured, fabricated, and designed in Canada