



RECOMMENDED USE:

For low-rise curtain wall applications requiring the highest thermal performance, particularly owner-occupied buildings.

PRODUCT DESCRIPTION:

Thermally-broken stick-built curtain wall system with 62mm (2.4") width profile and 145mm (5.7") mullion depth. Available exclusively for triple-glazed stick-built applications.

COMPOSITION & MATERIALS:

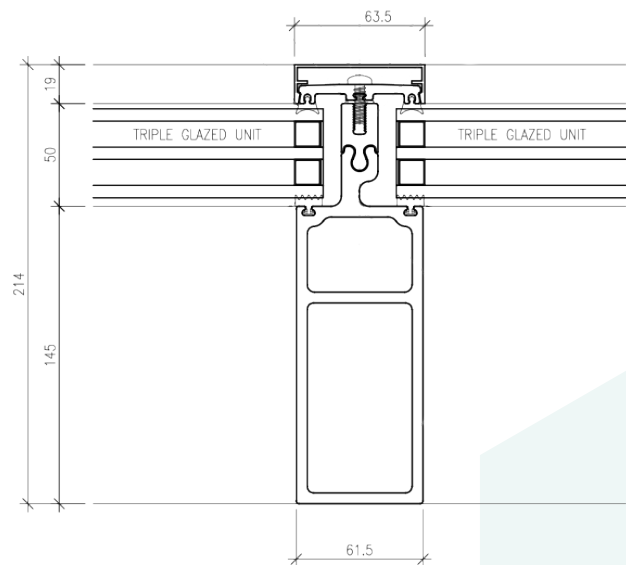
- Fibreglass-reinforced plastic (FRP) back body
- Fibreglass-reinforced plastic (FRP) pressure plate
- Aluminum anodized snap cap (vanity cap)
- Extruded silicone or EPDM gaskets
- EPDM corner blocks
- PVC anti-rotation (spacer) channels
- Aluminum spigots (T-connectors)
- Steel reinforcing members as required

FINISHES :

FRP back body available in standard colours: black, white, and dark gray. Other colours paint-to-sample (paint-to-match).

LIMITATIONS:

- Only suitable for buildings permitting combustible envelope construction. For building with envelopes requiring non-combustible construction (or CAN/ULC-S134 certified components), see GlasCurtain Therm134 system ([link](#))
- Designed for IGU with 44mm (1.75") overall thickness
- Curtain wall must be installed perpendicular (90 degrees) to the floor
- Curtain walls must be reviewed for structural and load requirements
- Contact GlasCurtain for further technical support



FEATURES & BENEFITS:

- Ultra-high thermal performance
 - R7 Overall, frame and glass (0.85 W/m²·K/0.15 Btu/ft²·F)
- Exclusively triple-glazed
- Improved thermal comfort for occupants and tenants
- Fully-captured (pressure plates on all four sides of glass) for optimal wind load resistance, dead load capacity, and air/water penetration resistance
- Compatible with operable vents
- Tested to ASTM, CSA, and AAMA requirements
- Manufactured, fabricated, and designed in Canada