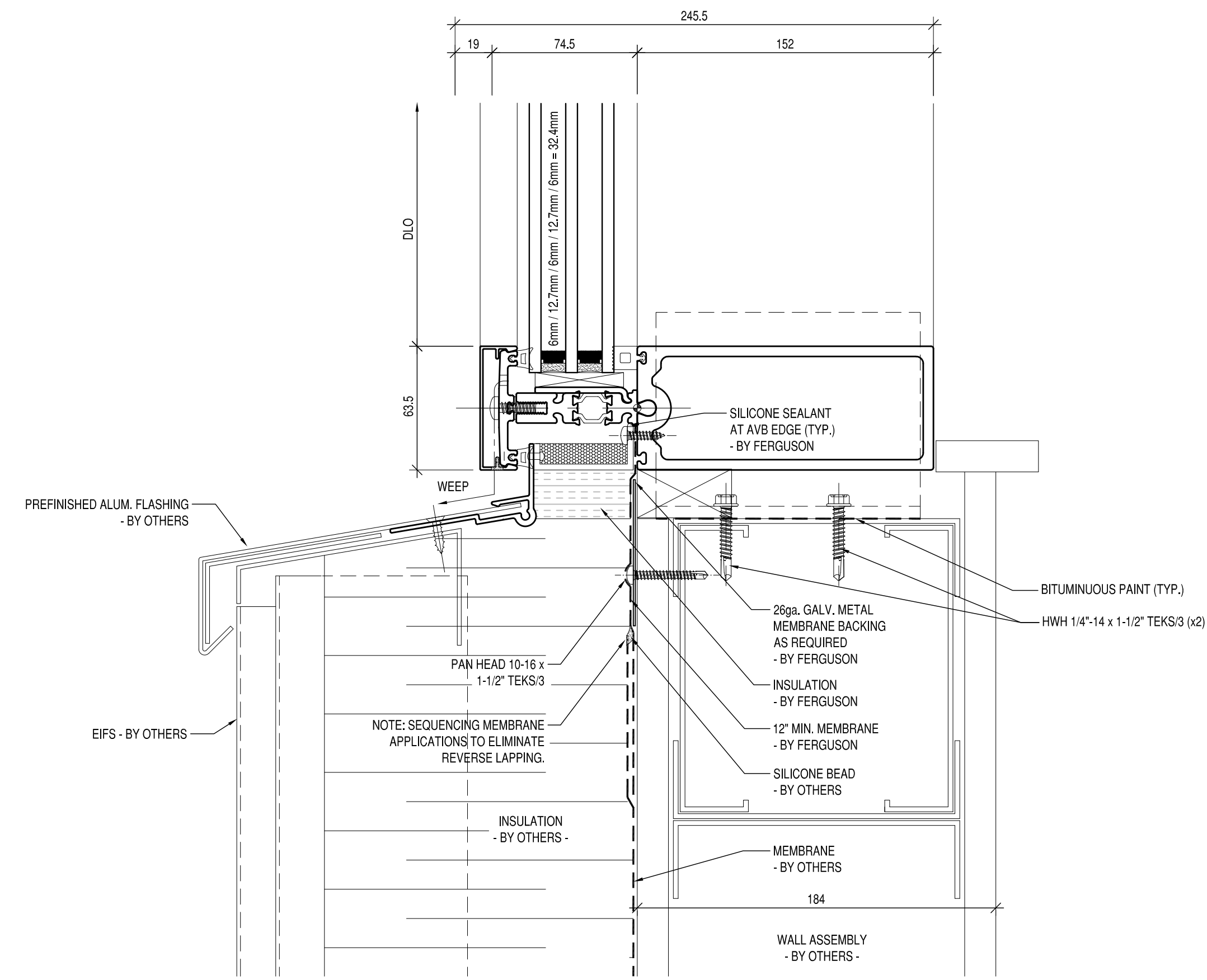
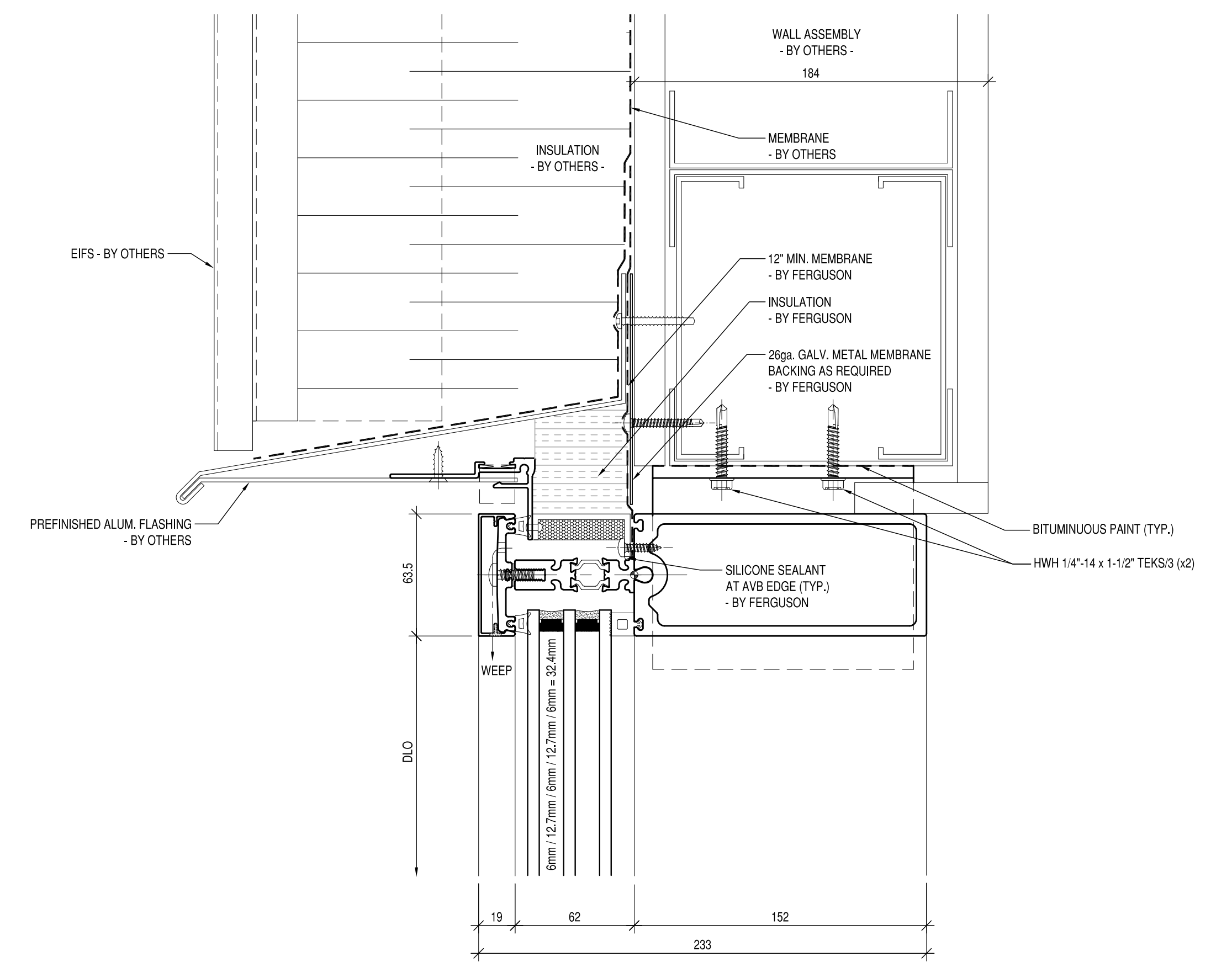


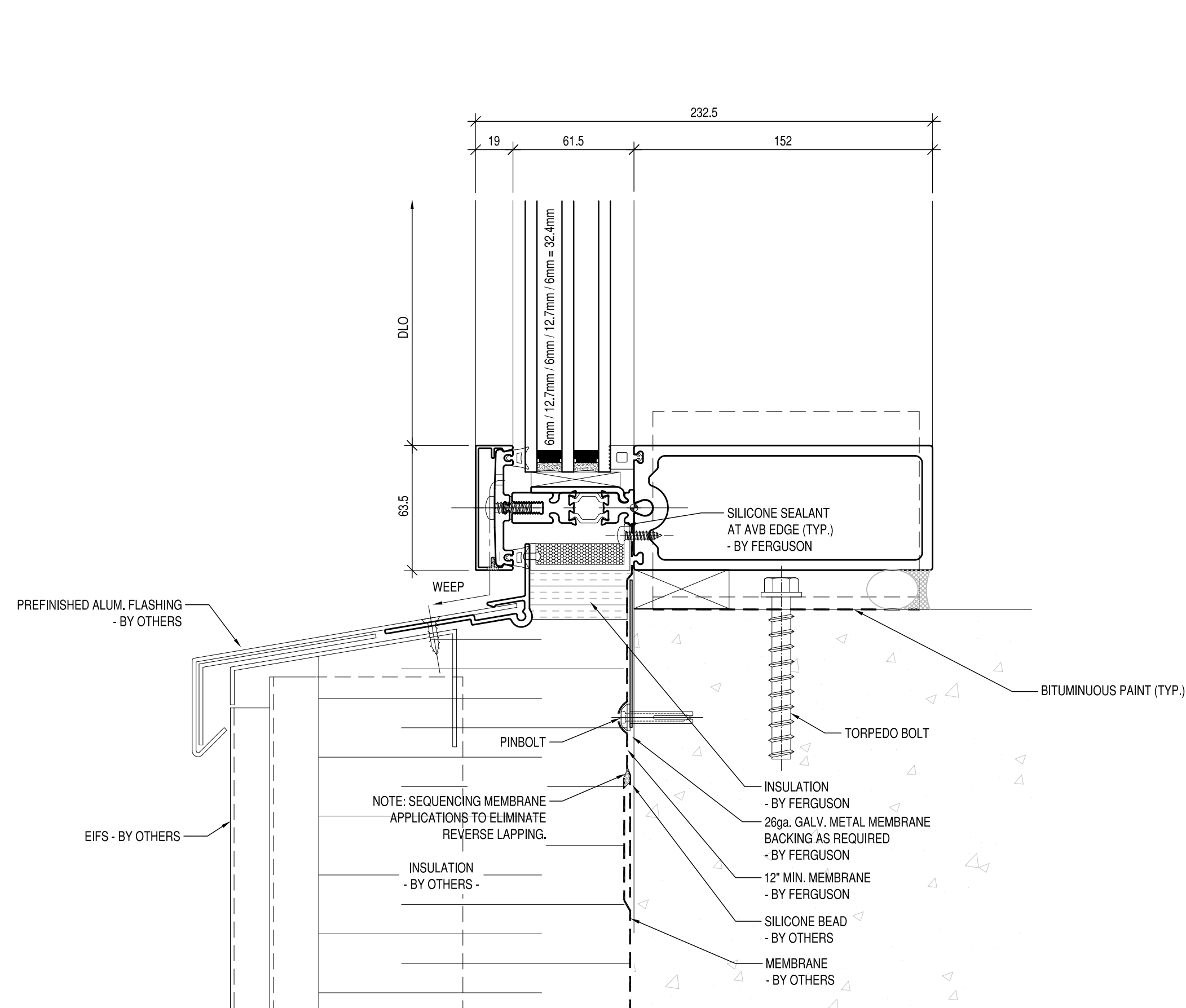
JAMB DETAIL



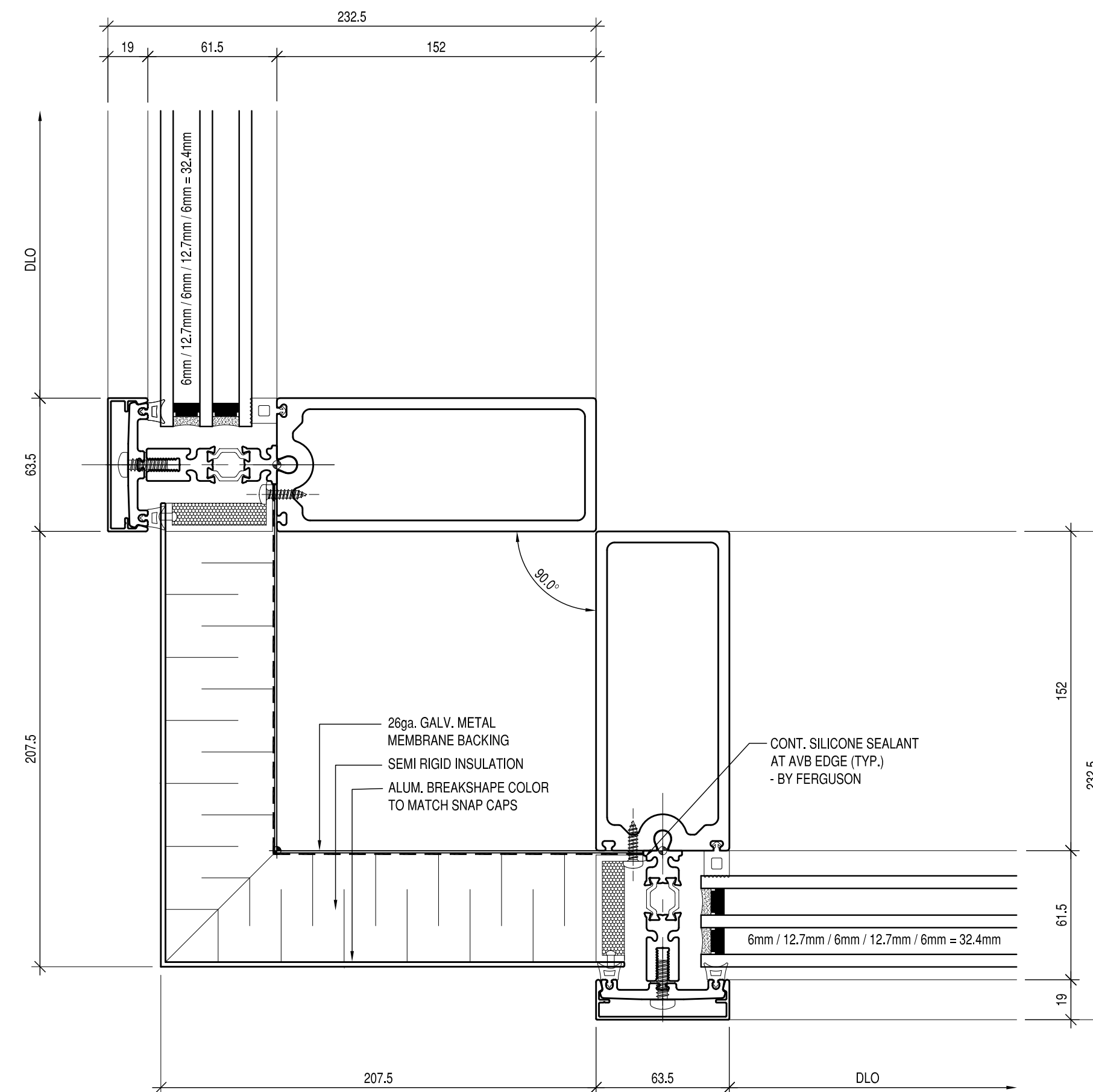
SILL SECTION



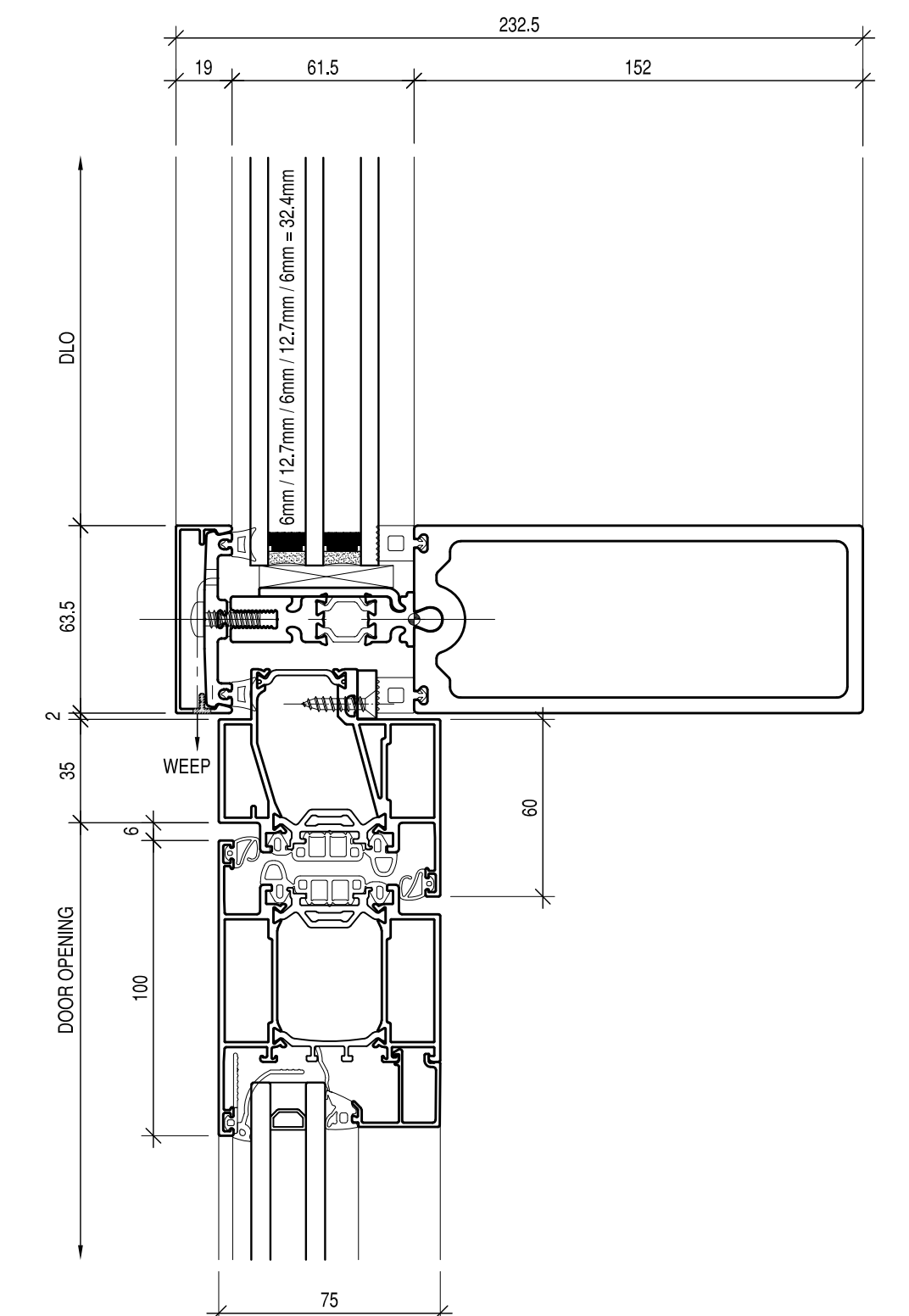
HEAD SECTION



SILL SECTION



90 DEGREE CORNER PLAN DETAIL



DOOR HEAD SECTION DETAIL